



# T&S BRASS AND BRONZE WORKS, INC.

2 Saddleback Cove / P.O. Box 1088  
Travelers Rest, SC 29690

Model No.

**B-0599-CR**

Item No.

Travelers Rest, SC: 800-476-4103 • Simi Valley, CA: 800-423-0150 • Fax: 864-834-3518 • www.tsbrass.com

This Space for Architect/Engineer Approval

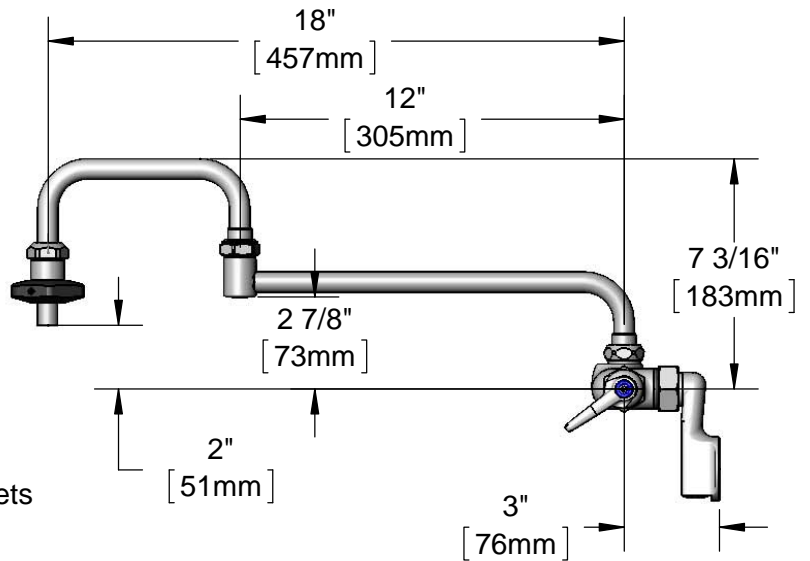
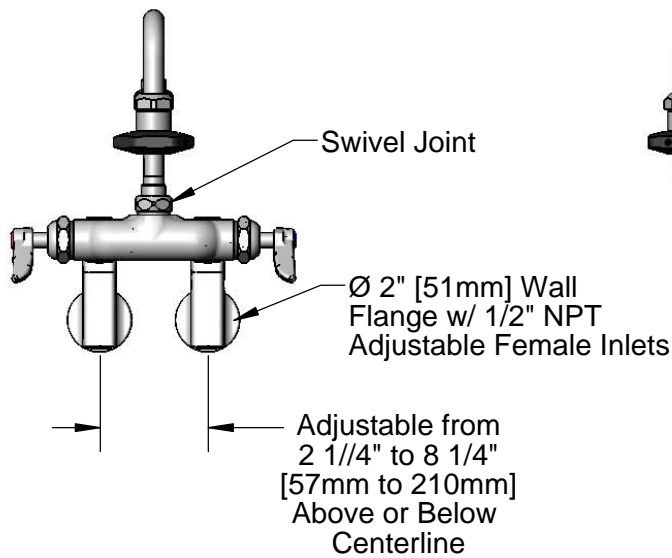
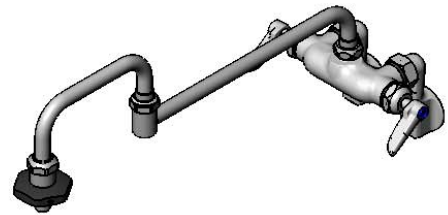
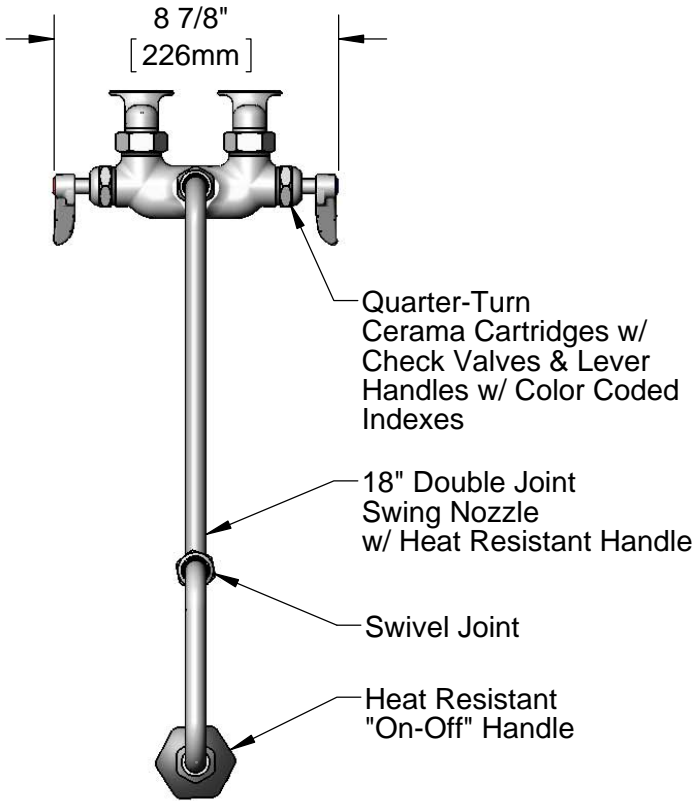
Job Name \_\_\_\_\_ Date \_\_\_\_\_

Model Specified \_\_\_\_\_ Quantity \_\_\_\_\_

Customer/Wholesaler \_\_\_\_\_

Contractor \_\_\_\_\_

Architect/Engineer \_\_\_\_\_



**Product Specifications:**

Adjustable Wall Mount Mixing Faucet, Quarter-Turn Cerama Cartridges w/ Check Valves, Lever Handles, 18" Double Joint Swing Nozzle w/ Heat Resistant Handle & Adjustable 1/2" NPT Wall Flange Female Inlets

**Product Compliance:**

ASME A112.18.1 / CSA B125.1  
NSF 61 - Section 9  
NSF 372 (Low Lead Content)



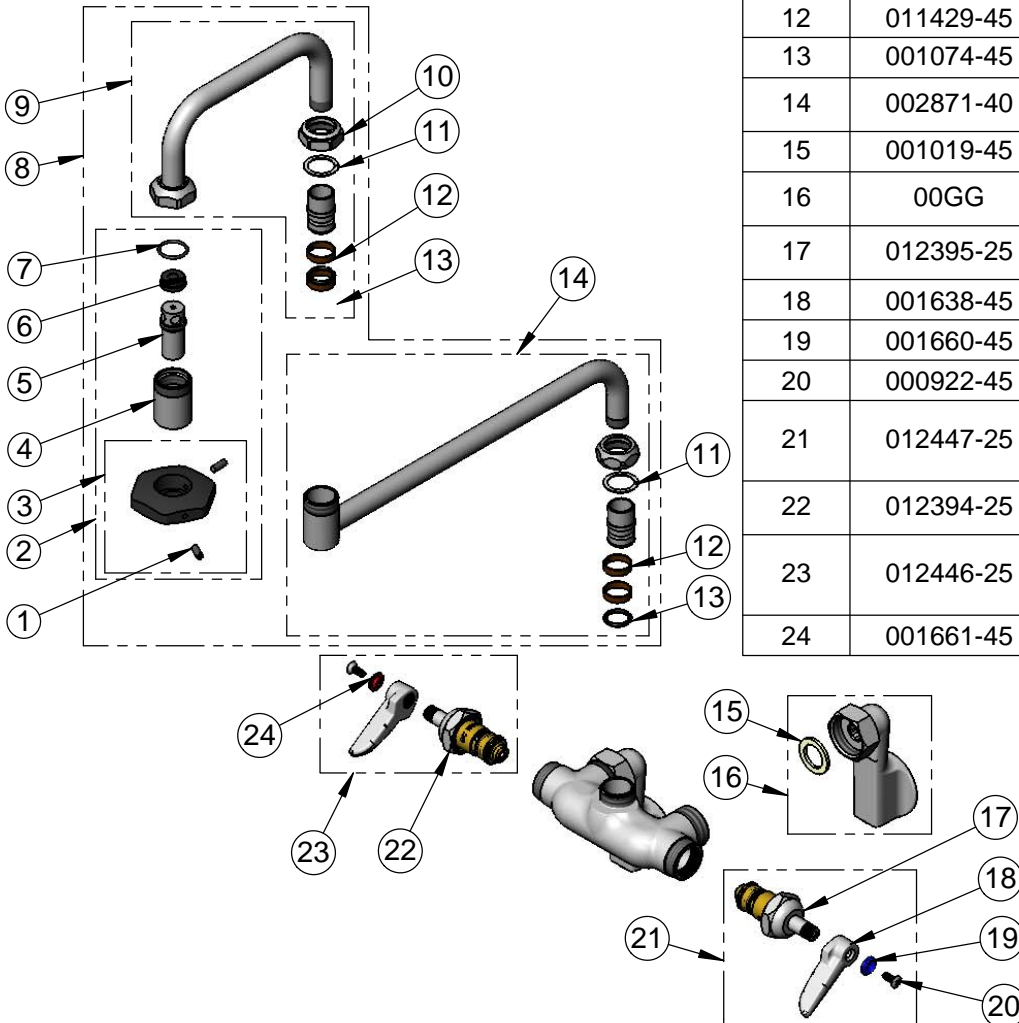
**T&S BRASS AND BRONZE WORKS, INC.**  
 2 Saddleback Cove / P.O. Box 1088  
 Travelers Rest, SC 29690

Model No.  
**B-0599-CR**

Item No.

Travelers Rest, SC: 800-476-4103 • Simi Valley, CA: 800-423-0150 • Fax: 864-834-3518 • www.tsbrass.com

| ITEM NO. | SALES NO. | DESCRIPTION                                                                    |
|----------|-----------|--------------------------------------------------------------------------------|
| 1        | 000936-45 | Handle Set Screw                                                               |
| 2        | 035A      | 6" Double Joint Swing Nozzle (Front Section w/ Heat Resistant Handle           |
| 3        | 001126-20 | Handle w/ (2) Set Screws                                                       |
| 4        | 000587-25 | Spout Body                                                                     |
| 5        | 001498-25 | Spout                                                                          |
| 6        | 001089-45 | Seal                                                                           |
| 7        | 003426-45 | O-Ring                                                                         |
| 8        | 002848-40 | 18" Double Joint Swing Nozzle w/ Heat resistant Handle                         |
| 9        | 002870-40 | 6" Double Joint Swing Nozzle (Front Section)                                   |
| 10       | 009536-25 | Swivel Nut                                                                     |
| 11       | 009538-45 | Swivel Washer                                                                  |
| 12       | 011429-45 | Swivel Sleeves (2)                                                             |
| 13       | 001074-45 | O-Ring                                                                         |
| 14       | 002871-40 | 12" Double Joint Swing Nozzle (Back Section)                                   |
| 15       | 001019-45 | Coupling Nut Washer                                                            |
| 16       | 00GG      | 1/2" NPT Adjustable Flanged Female Inlet                                       |
| 17       | 012395-25 | Quarter-Turn Cerama Cartridge, LTC w/ Check Valve                              |
| 18       | 001638-45 | Lever Handle                                                                   |
| 19       | 001660-45 | Blue Index-CW                                                                  |
| 20       | 000922-45 | Lever Handle Screw                                                             |
| 21       | 012447-25 | Quarter-Turn Cerama Cartridge, LTC w/ Check Valve, Lever Handle, Index & Screw |
| 22       | 012394-25 | Quarter-Turn Cerama Cartridge, RTC w/ Check Valve                              |
| 23       | 012446-25 | Quarter-Turn Cerama Cartridge, RTC w/ Check Valve, Lever Handle, Index & Screw |
| 24       | 001661-45 | Red Index-HW                                                                   |



**Product Specifications:**  
 Adjustable Wall Mount Mixing Faucet, Quarter-Turn Cerama Cartridges w/ Check Valves, Lever Handles, 18" Double Joint Swing Nozzle w/ Heat Resistant Handle & Adjustable 1/2" NPT Wall Flange Female Inlets

**Product Compliance:**  
 ASME A112.18.1 / CSA B125.1  
 NSF 61 - Section 9  
 NSF 372 (Low Lead Content)